

Heavy Duty High Speed Abort Gate

APPLICATIONS

The **Raptor Gate™ Heavy Duty High Speed Abort Gate** is an important part of any duct spark or leak detection system.

It can be located prior to the inlet of a dust collection system to prevent a flame or burning ember from entering the dust collection system. This method is used if your spark detection equipment is not adequate or not an option.

Fire, smoke, spark, or broken filter sensors can activate it in the event of a filter failure or fire.

The **Raptor Gate™ Heavy Duty High Speed Abort Gate** can be placed on the return air side of the dust collector to redirect contaminated air to a safe location. It is another way to keep personnel and dust collection equipment protected.

CERTIFICATIONS & STANDARDS

NFPA 652 & 654 Compliant when used in conjunction with FM Approved Spark Detection System.



STANDARD FEATURES

- Heavy duty and spring loaded with thicker walls and sturdier construction than the **High Speed Abort Gate EM-HSAG02**.
- Complete with electromechanical gate operation, indicator lights to monitor the system, manual test button, terminals to interlock with **Raptor Spark** detection system for activation, flanged inlet and outlet, and weather hood with bird screen.
- Available in sizes **4" to 60"**
- **120 VAC** Control Panel

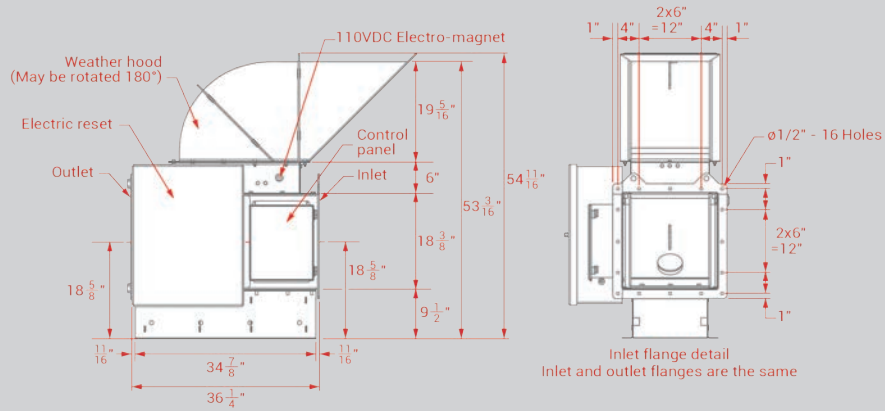


OPTIONAL FEATURES

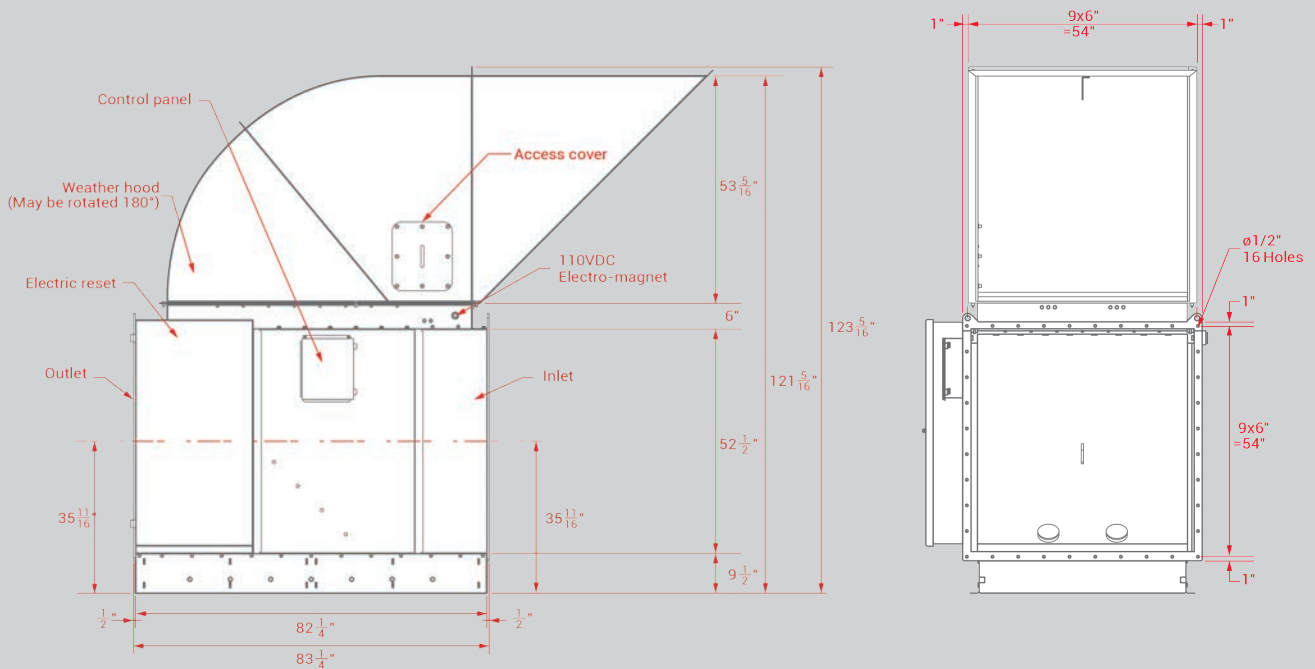
- Inlet and outlet transitions

TECHNICAL INFORMATION

HEAVY DUTY HIGH SPEED ABORT GATE 18



HEAVY DUTY HIGH SPEED ABORT GATE 52



© August 2023 Boss Products, LLC