

Conventional Fire Systems

Vision 2020P

Conventional Optical Smoke Detector



The 2020P Optical Smoke Detector is part of the Vision range of detectors. Vision is a range of conventional detectors, which have been produced using the latest in manufacturing technology and supplied with an array of installer-friendly advanced features, making them ideal for all your conventional fire detection requirements.

The 2020P Optical Smoke Detector uses a state of the art optical chamber combined with an application specific integrated circuit (ASIC) to provide quick and accurate detection of fires. A combination of the unique chamber design and other technically advanced features will significantly extend the service intervals before cleaning of the detector becomes necessary.

A hand held laser tool can also be used in conjunction with the Vision range of detectors for triggering the Vision detector. With a range of several metres, the hand held unit provides an effortless way of remotely triggering the Vision detector.

Features and benefits

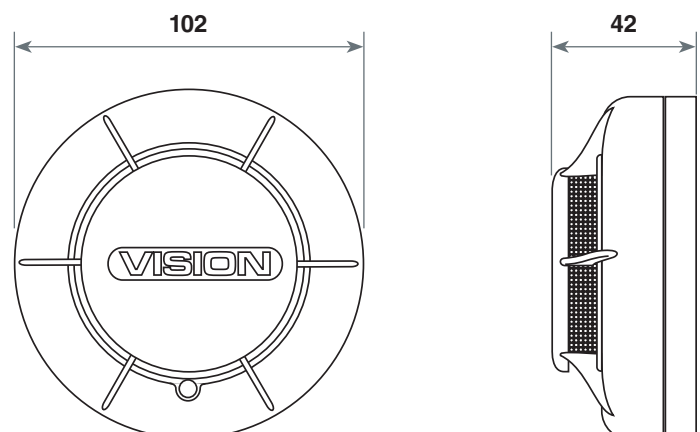
- Low profile design
- Low current draw
- Automatic drift compensation
- Remote alarm trigger feature
- Easy maintenance
- Range of detector bases available
- Remote LED Option
- Approved to EN54-7:2000 (Amendment 1)

The 2020P Detector has an integral LED, which illuminates to provide a local alarm signal. This latches on, and remains illuminated until the detector is reset by a momentary power interruption. An optional remote LED annunciator may be used to repeat any alarm signal.

A variety of detector bases can be used with the 2020P Detector, providing application flexibility and compatibility with a wide range of conventional fire alarm panels.

Please note: the laser triggering tool does not negate the requirement to test the detector as specified in BS 5839 Pt 1:2013.

Dimensions



Conventional Fire Systems

Vision 2020P

Technical Specifications

ELECTRICAL	
Operating Voltage Range	14 to 28VDC (Nominal 24VDC)
Maximum Standby Current @ 25°C	60µA @ 24VDC
Maximum Alarm Current	70mA @ 28VDC
ENVIRONMENTAL	
Application Temperature Range	-30°C to +70°C
Humidity	5 to 95% Relative Humidity (non-condensing)
MECHANICAL	
Height	32.5mm (plus 9.5mm for standard base)
Diameter	102mm
Weight	75g (plus 45g for standard base)
Max Wire Gauge for Terminals	0.4mm ² to 2.0mm ²
Colour	Approximates RAL9016
Material	ABS
Standards	EN54 part 7
Approvals	LPCB Approved and CE Approved

ORDER CODES	
2020P	Optical Smoke Detector
BASES	
2020B	Standard Base – adds 9.5mm to detector height
2020BSD	Standard Base with Schottky diode
2020DB	Deep Base – adds 21mm to detector height
2020DBSD	Deep Base with Schottky diode
ACCESSORIES	
2020LT	Laser Triggering Tool

NOTE: It is essential to ensure that only known compatible components are used in a fire detection system. If in doubt, always consult the fire control panel supplier/manufacture.

Honeywell