

FC421CP-I Outdoor Weatherproof Resettable Callpoint

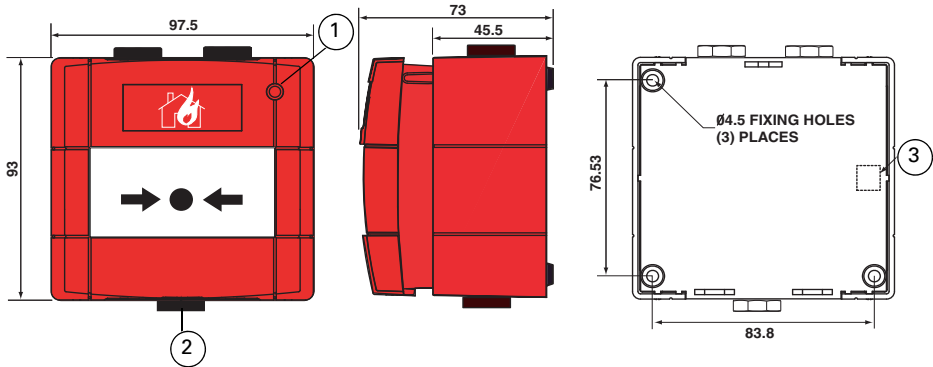


Fig. 1: FC421CP-I Outdoor Weatherproof Resettable Callpoint - Overall and Fixing Dimensions
 1– Short Circuit Isolator Activation (Yellow) and Alarm Indicator LED (Red)
 2– Test/Release Key Access
 3– Earth Continuity Terminal (Internal)

Introduction

The FC421CP-I Weatherproof Addressable Resettable Callpoint is an outdoor manual callpoint.

The callpoint is designed to monitor and signal the condition of a switch contact that is operated by activating the resettable element.

The FC421CP-I is fitted onto a standard KAC weatherproof backbox, which is supplied with the callpoint.

The FC421CP-I has an integral short-circuit isolator for monitoring the field wiring.

The FC421CP-I callpoint meets the requirements of EN54 Pt. 11 and EN54 Pt. 17.

Technical Specification

Table 1 shows the technical specification information.

Parameter	Value
System Compatibility	Use only with FIRE-CLASS Fire Alarm Controllers
Environment	Outdoor applications
Operating Temperature	-25 to +70 °C
Storage Temperature	-30 to +70 °C
Operating Humidity	Up to 95 % non-condensing
Dimensions (HWD)	93 x 97.5 x 73 mm
Weight	240 g
IP Rating	IP67

Table 1: Technical Specifications

Terminals

Table 2 shows the terminal information.

Description	Marking	Comment
MX Loop Interface	1	Loop+ IN
	2	Loop- Left
	3	Loop+ OUT
	4	Loop- Right

Table 2: Terminals

Address Programming

The FC421CP-I has a default factory set address of 255.

The FC421CP-I is programmed with the address prior to installation using an address programming tool. The associated ancillary programming lead plugs into the programming port (see items 1 and 2 in Fig 2). Refer to Fig. 2 for proper orientation.



NOTICE

Ensure that the pins of the ancillary programming lead are inserted completely into the lower row of the programming port (see item 7 in Fig 2) for effective communication with the Address programming tool.



Site Drawings

Once the address has been programmed, take note of the device location and address number, to include on site drawings.

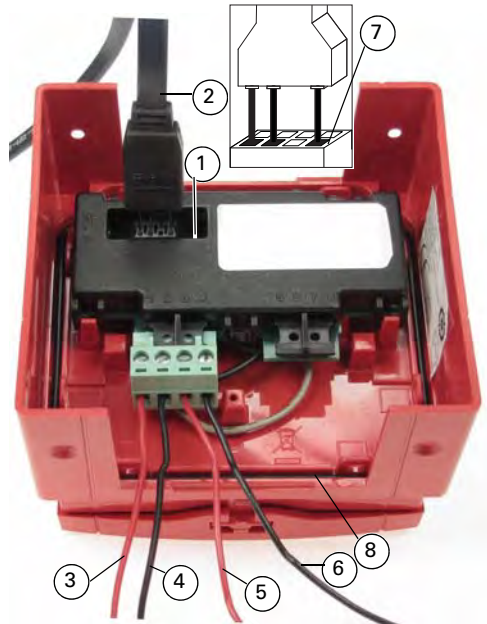


Fig. 2: FC421CP-I Rear View and Wiring Information

- 1– Ancillary Programming Port
- 2– Ancillary Programming Lead
- 3– Connected to Loop+IN
- 4– Connected to Loop-Left
- 5– Connected to Loop+Out
- 6– Connected to Loop-Right
- 7– Programming Lead Orientation
- 8– Gasket

Mounting & Cabling

How to mount the FC421CP-I with earthing plate fitted

- 1 Mount the backbox to a suitably flat surface in the required location, using the three fixing holes and screws provided in the installation kit.



NOTICE

Ensure that the cable entry holes are in the vertical plane. The backbox can be mounted with either the single or the double entry holes at the top.

- 2 Fit the appropriate cable glands into the 20 mm diameter threaded holes as required.



Spare Washers

Use only the supplied spare washer(s) to fit the respective cable gland(s) or hole stopper(s).

The 2 hole stoppers with plastic washers are provided for use where cable glands are not required.

- 3 Connection to the FC421CP-I is made via the 4 way terminal connector as shown in Fig. 2, ensuring correct polarity.

Each terminal can accommodate a conductor of up to 2.5 mm².



CAUTION

Ensure that the backbox's cable entry holes are not expanded to accommodate cable glands wider than 20 mm in diameter. It must not be subjected to stress by the cable or conduit.

Ensure that all the cable entries and unused entry points are securely sealed against water and moisture ingress.



Sealant

It is recommended to use Loctite 5331 as sealant.



NOTICE

Ensure that the gasket is correctly seated in the channel on the rear of the cover. The gasket should be replaced if damaged.

- 4 Place the callpoint squarely over the backbox and carefully push the callpoint until the locating clips have engaged.
Use the four fixing screws to lock the callpoint into place.
- 5 Select all cables in accordance with local standards,
- 6 Couplers are to be used with MICC cable.

Earthing

An Earth Continuity Terminal is situated in the rear of the backbox. This is designed to accommodate 2 conductors of up to 2.5 mm².

An earthing plate is provided for continuity of metal conduits. This must be placed behind the backbox prior to fixing the box to the wall.

If the earthing plate is fitted, fit the 3 spare washers (supplied with each call point) between the metal earth continuity strap and the call point backbox.



WARNING

While installing the FC421CP-I:

- **Do not overtighten the fixing screws**
- **Avoid using lubricants, cleaning solvents or petroleum based products.**

Wiring Notes

- There are no user-required settings (such as switches or headers) on the FC421CP-I.
- All wiring must comply with local installation regulations and local fire system design requirements.
- All conductors to be free of earths. For typical wiring configuration see Fig 2.

Call Point Removal

How to remove the FC421CP-I

- 1 Remove the four fixing screws used to lock the callpoint to the backbox.
- 2 Place the edge of a large flat bladed screwdriver into the slot between the callpoint cover and the backbox (see item 1 in Fig 3).

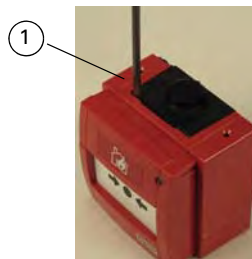


Fig. 3: FC421CP-I Removal
1 – Screwdriver inserted into slot


- 3 Gently twist until the latches are disengaged.
- 4 Pull the cover away from the backbox.

Ordering Information

Component	Ordering Numbers
FC421CP-I Outdoor CP with isolator	514.800.806

Table 3: Ordering Information

CPR Information

 0832
Control Equipment Ltd Hillcrest Business Park Cinderbank Dudley West Midlands DY2 9AP UK 14 DoP-2014-2012
EN 54-11 and EN 54-17 Manual callpoint with Short-Circuit Isolator for fire detection & fire alarm systems for buildings Type A, Indoor FC421CP-I



0832

Essential Characteristics

EN54-11

Nominal activation conditions / Sensitivity and Performance under fire conditions: Pass

EN54-17

Performance under fire conditions: Pass

EN54-11 and EN54-17

Operational reliability: Pass

Durability of operational reliability temperature resistance: Pass

Durability of operational reliability; vibration resistance: Pass

Durability of operational reliability; humidity resistance: Pass

Durability of operational reliability; corrosion resistance: Pass

Durability of operational reliability; electrical stability: Pass