

Conventional Fire Systems

Vision 2020R

Rate Of Rise Heat Detector



The 2020R Rate of Rise Heat Detector is part of the Vision range of detectors. Vision is a range of conventional detectors, which have been produced using the latest in manufacturing technology and supplied with an array of installer-friendly advanced features, making them ideal for all your conventional fire detection requirements.

The 2020R Heat Detector uses a state of the art heat element combined with an application specific integrated circuit (ASIC) to provide quick and accurate detection of fires. The detector incorporates both rate of rise and static elements and is suitable for all areas where the ambient conditions do not normally exhibit rapid changes in temperature.

A hand held laser tool can also be used in conjunction with the Vision range of detectors for triggering the Vision detector. With a range of several metres, the hand held unit provides an effortless way of remotely triggering the Vision detector.

Features and benefits

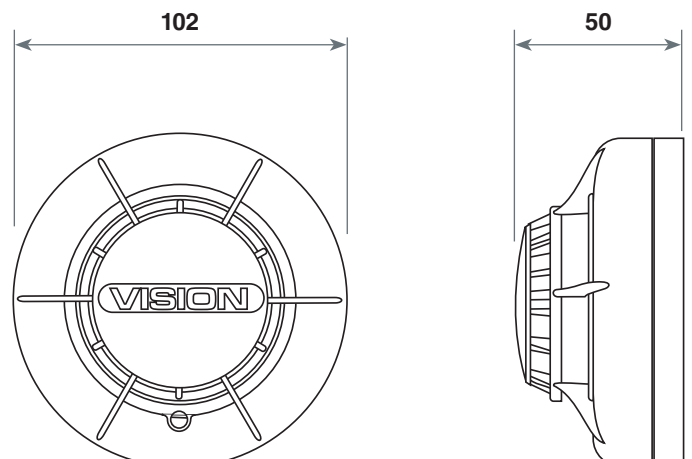
- Low profile design
- Low current draw
- Remote alarm trigger feature
- Easy maintenance
- Range of detector bases available
- Remote LED Option
- Approved to EN54 – 5:2000 (Amendment 1) Class A1R

The 2020R Detector also has an integral LED, which illuminates to provide a local alarm signal. This latches on, and remains illuminated until the detector is reset by a momentary power interruption. An optional remote LED annunciator may be used to repeat any alarm signal.

A variety of detector bases can be used with the 2020R Detector, providing application flexibility and compatibility with a wide range of conventional fire alarm panels.

Please note: the laser triggering tool does not negate the requirement to test the detector as specified in BS 5839 Pt 1:2013.

Dimensions



Conventional Fire Systems

Vision 2020R

Technical Specifications

ELECTRICAL	
Operating Voltage Range	14 to 28VDC (Nominal 24VDC)
Maximum Standby Current @ 25°C	70µA @ 24VDC
Maximum Alarm Current	70mA @ 28VDC
ENVIRONMENTAL	
Application Temperature Range (see note 1)	-30°C to +70°C
Humidity	5 to 95% Relative Humidity (non-condensing)
MECHANICAL	
Height	40.5mm (plus 9.5mm for standard base)
Diameter	102mm
Weight	70g (plus 45g for standard base)
Max Wire Gauge for Terminals	0.4mm ² to 2.0mm ²
Colour	Approximates RAL9016
Material	ABS
Standards	EN54 Part 5
Approvals	LPCB Approved and CE Approved

ORDER CODES	
2020R	Rate of Rise Detector
BASES	
2020B	Standard Base – adds 9.5mm to detector height
2020BSD	Standard Base with Schottky diode
2020DB	Deep Base – adds 21mm to detector height
2020DBSD	Deep Base with Schottky diode
ACCESSORIES	
2020LT	Laser Triggering Tool

NOTE: 1. To avoid unwanted alarm conditions being triggered by class A1R detectors, the maximum ambient operating temperature should not exceed 45°C.

2. It is essential to ensure that only known compatible components are used in a fire detection system. If in doubt, always consult the fire control panel supplier/manufacturer.

Honeywell Life Safety Systems

Tel: +44 (0) 116 246 2000
 Fax: +44 (0) 116 246 2300
 Email: ukorders@honeywell.com
 140 Waterside Road
 Hamilton Industrial Park
 Leicester
 LE5 1TN

May 2014
 © 2014 Honeywell International Inc.

